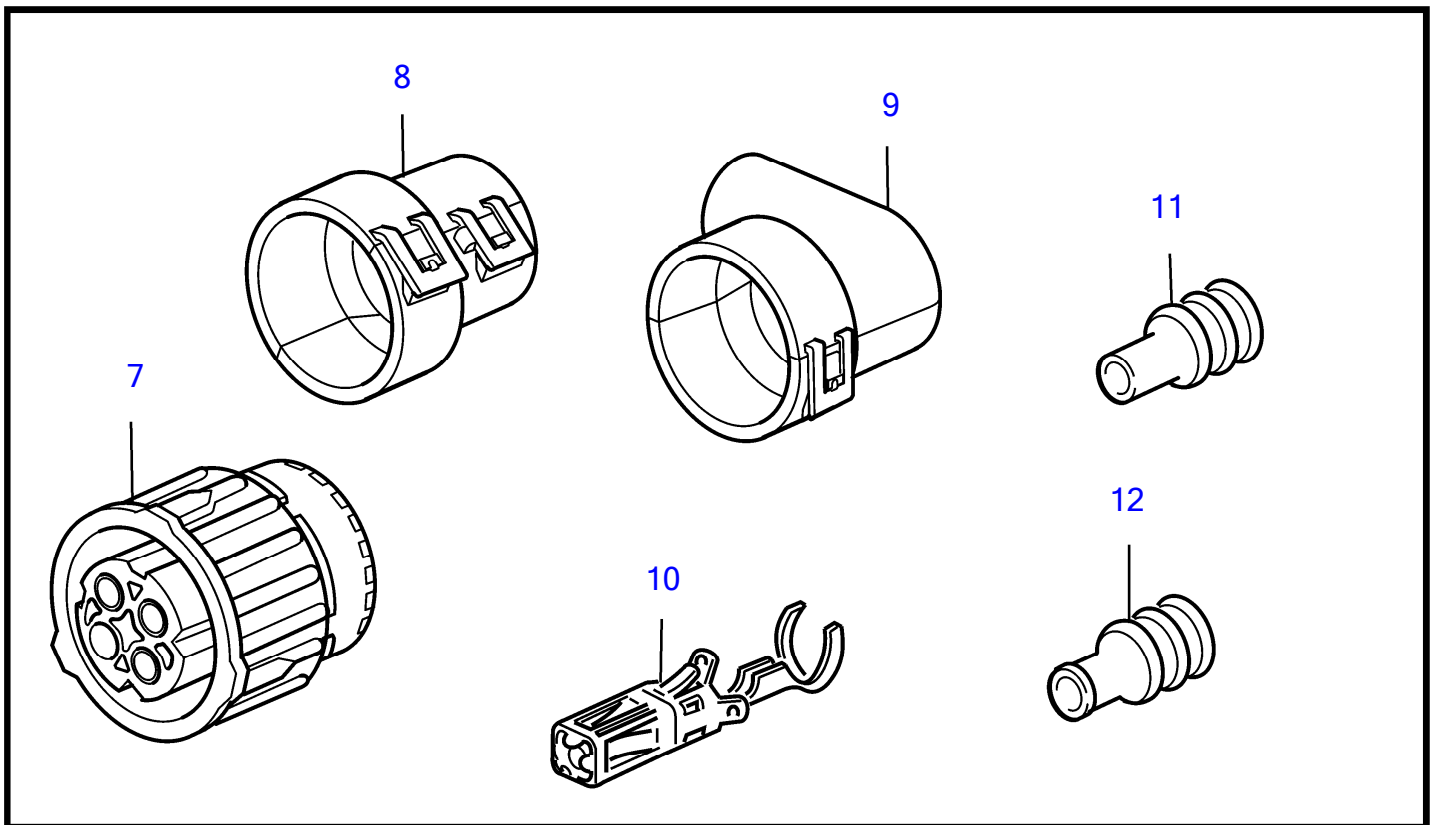
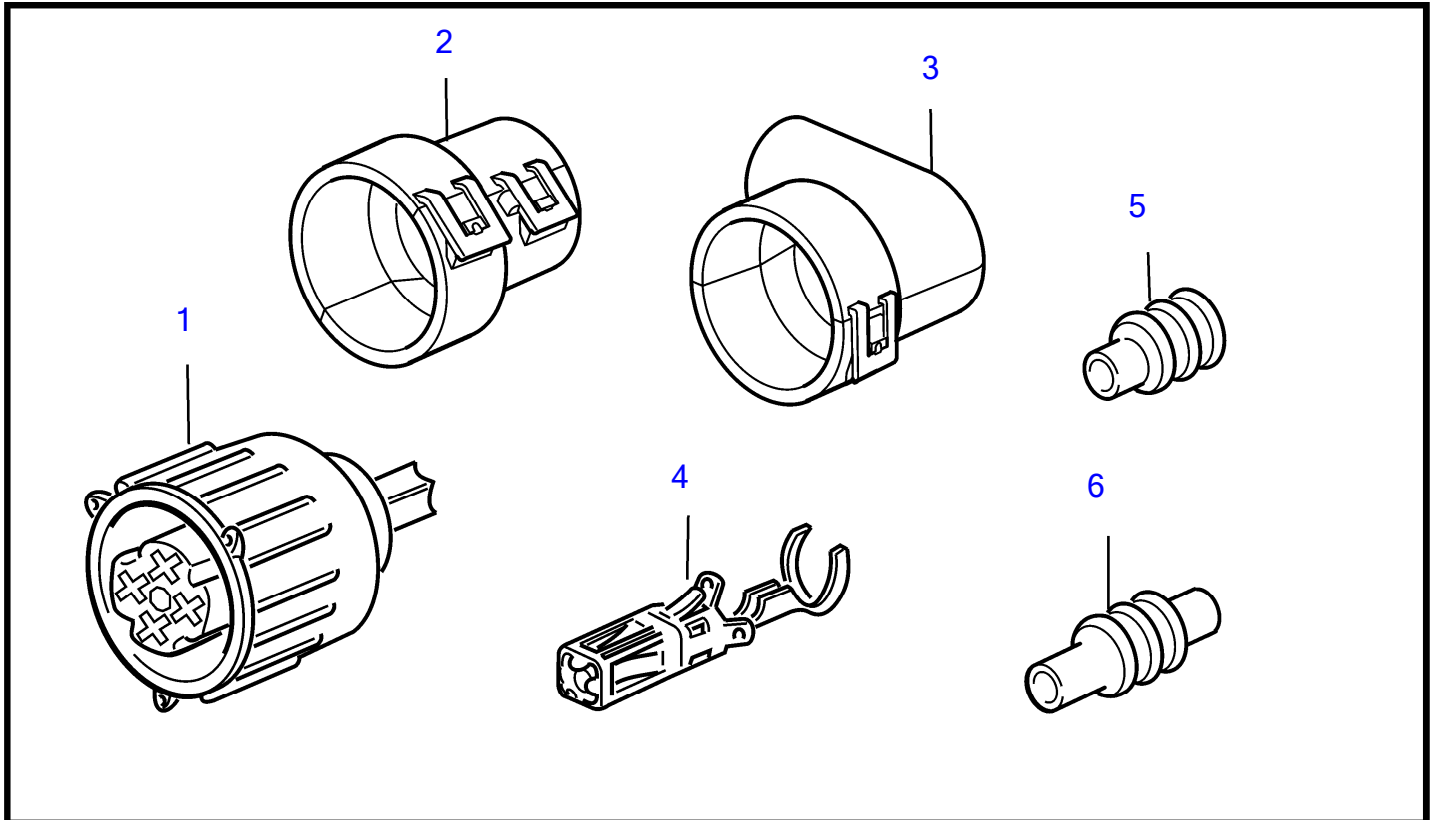


D8A1-A MP, D8A2-A MP, D8A3-A MP, D8A4-A MP



D8A1-A MP, D8A2-A MP, D8A3-A MP, D8A4-A MP

REF	PART NO.	QTY	DESCRIPTION	NOTES
1	3589939	1	Connector	970772.
2	3888501	1	Adapter, 90 Degrees	Replaced by 3985621
3		1	Adapter 180 Degrees (straight)	Part No: 3841040, Replaced by 3985620
4	3589991	1	Cable terminal	Part 3589991 not replaceble, use pos 7 to 12 instead
5	3807021	1	Sealing plug	Replaced by 970771
6	3807016	1	Cable seal	Replaced by 970772
7	984849	1	Housing	
8	3985621	1	Adapter	
9	3985620	1	Adapter	
10	984846	1	Terminal	
11	970771	1	Cable seal	
12	970772	1	Cable seal	